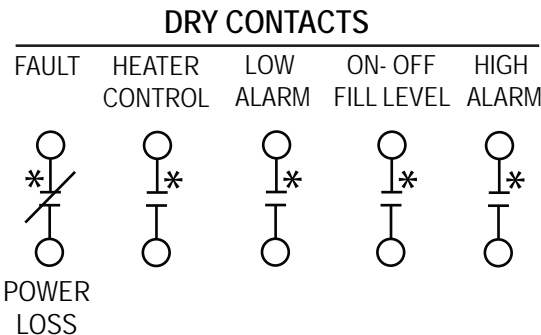
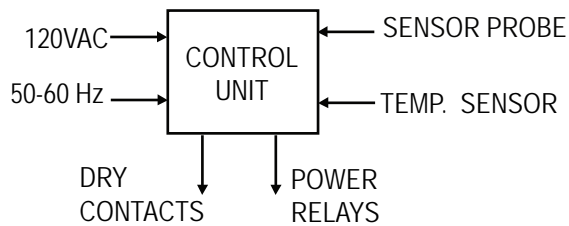
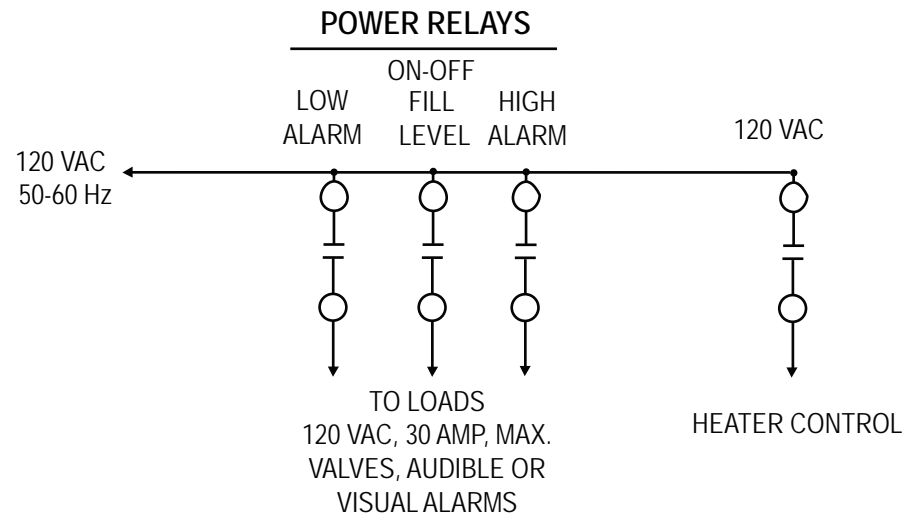
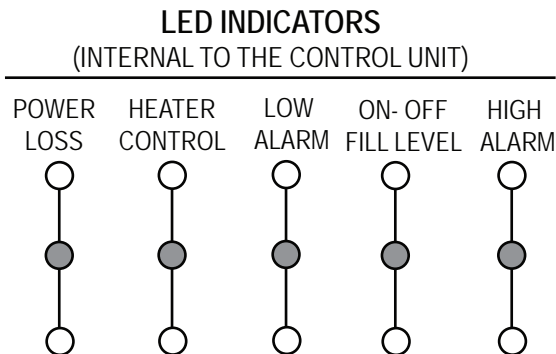


Fill Level Fill Control with Low and High Alarm and Heater Control (Total Dry Contacts)

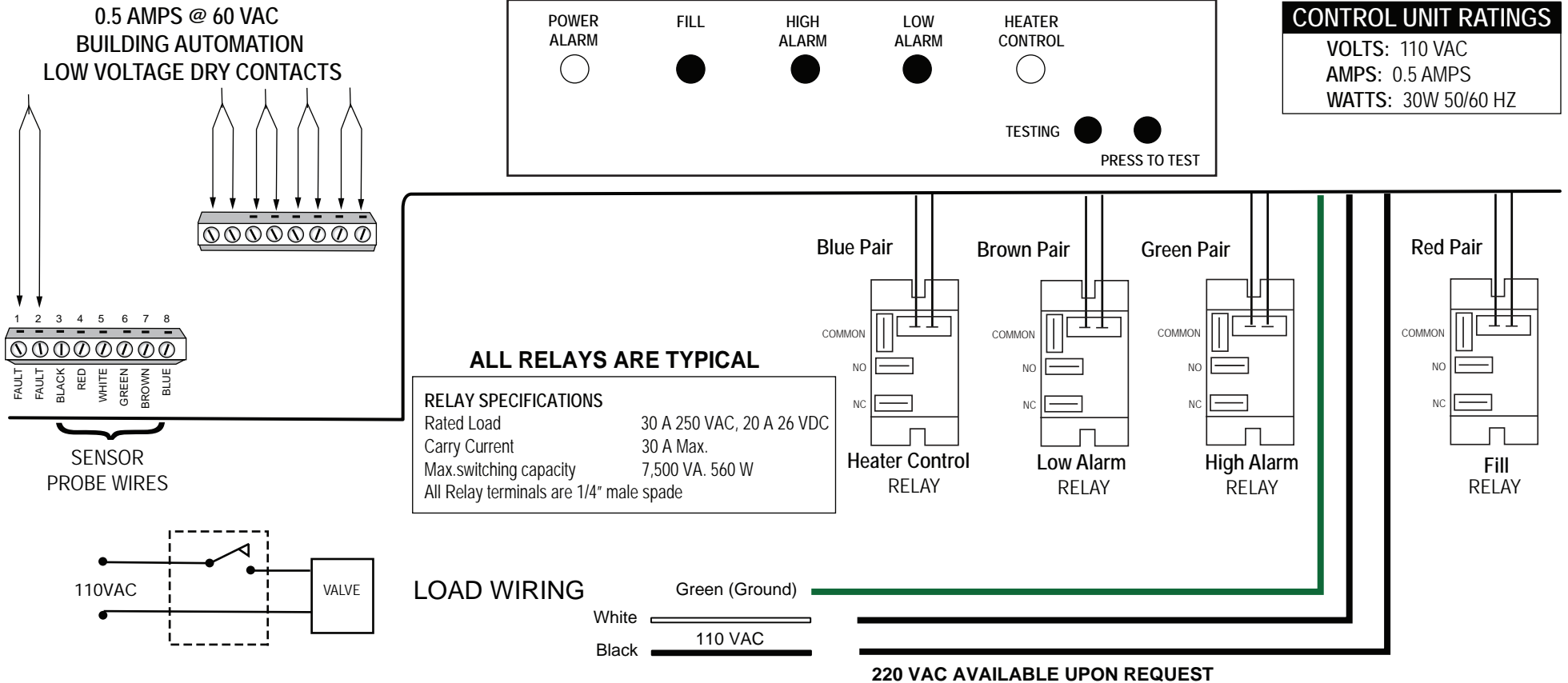


* 60V MAX; 0.50AMP MAX.
All others are 120VAC 30AMPS Max.



Waterline Controls
P.O. Box 12544 Scottsdale, Arizona 85260
Toll Free: 888-905-1892
Email: info@waterlinecontrols.com
www.waterlinecontrols.com

Fill Level Fill Control with Low and High Alarm and Heater Control



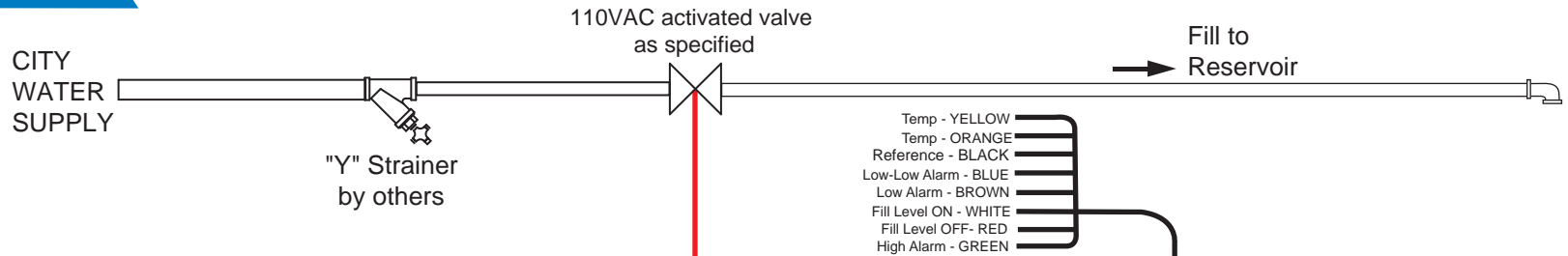
PRODUCT FUNCTION TRUTH TABLE

MODEL	BMS DRY CONTACTS							POWER RELAY				SELF TEST	HEATER CONTROL
	FAULT	POWER LOSS	HEATER CUT OFF	LOW ALARM	HIGH ALARM	FILL	BAS WIRES	HEATER CUT OFF	LOW ALARM	HIGH ALARM	FILL		
WLC6000	X	X	X	X	X	X	10	X	X	X	X	X	X

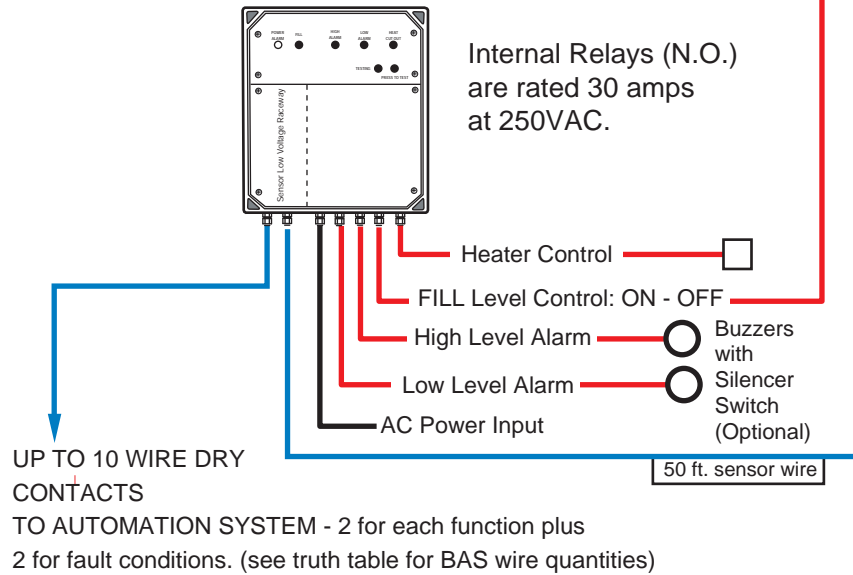
Waterline Controls
P.O. Box 12544 Scottsdale, Arizona 85260
Toll Free: 888-905-1892
Email: info@waterlinecontrols.com
www.waterlinecontrols.com



SUBMITTAL WLC 6100T

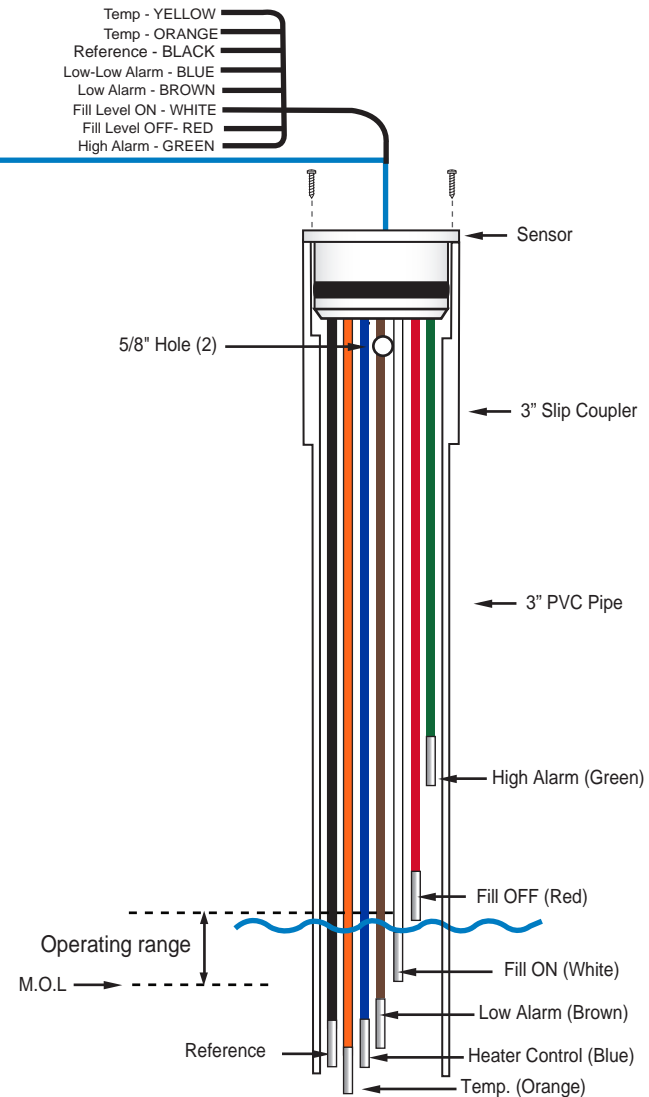


Fill Level Fill Control with Low and High Alarm and Heater Control



* Contact the factory for Custom Sensor requirements.
 * See written specification for more details.

Waterline Controls
 P.O. Box 12544 Scottsdale, Arizona 85260
 Toll Free: 888-905-1892
 Email: info@waterlinecontrols.com • www.waterlinecontrols.com
 6100T - 040616



1. The 3" PVC Pipe needs to be at least 2" longer than the longest Sensor tip.
2. Adjustment occurs by moving the 3" PVC Pipe up or down and tightening the clamp so it rests on the Custom Fitting.