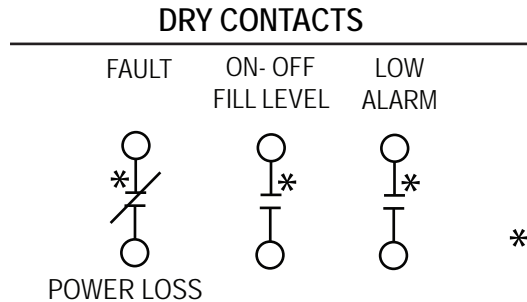
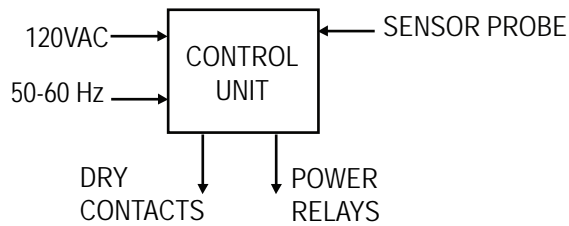




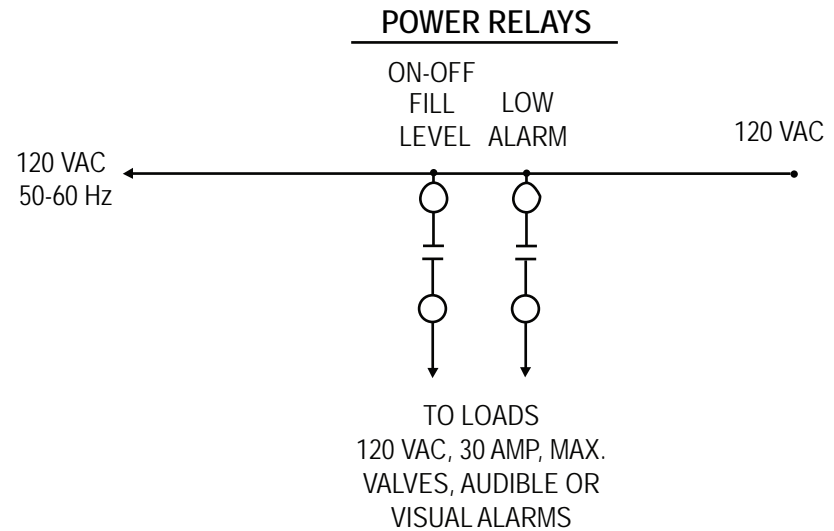
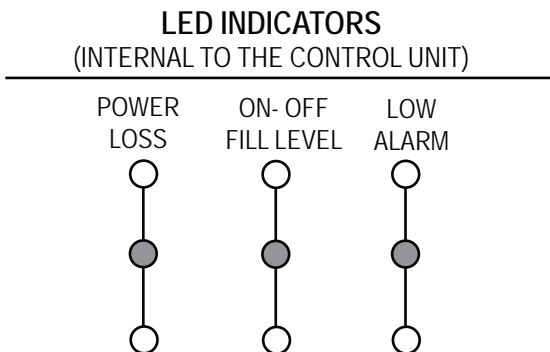
# SUBMITTAL WLC-4500

## FUNCTIONAL WIRING DIAGRAM OUTPUTS

### Fill Level Fill Control and Low Alarm (Total Dry Contacts)



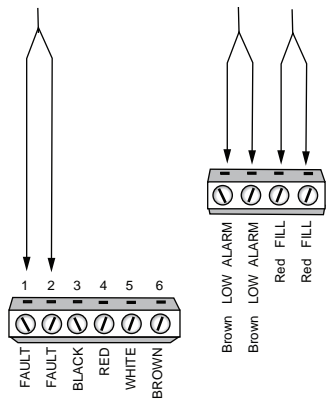
\* 60V MAX; 0.50AMP MAX.  
All others are 120VAC 30AMPS Max.



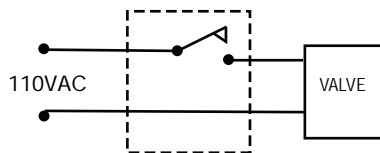
Waterline Controls  
 P.O. Box 12544 Scottsdale, Arizona 85260  
 Fax: 480-629-8223  
 Toll Free: 888-905-1892  
 Email: [info@waterlinecontrols.com](mailto:info@waterlinecontrols.com)  
[www.waterlinecontrols.com](http://www.waterlinecontrols.com)

## Fill Level Fill Control with Low Alarm

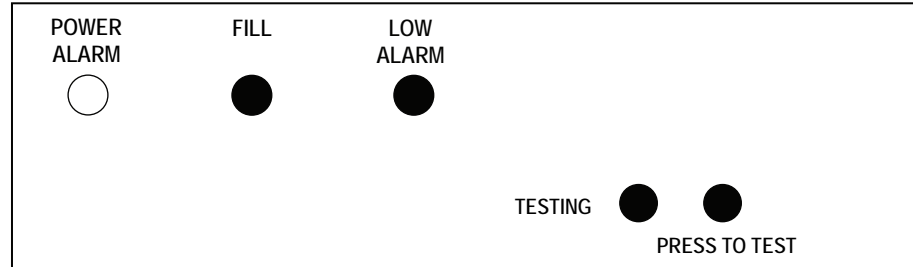
0.5 AMPS @ 60 VAC  
BUILDING AUTOMATION  
LOW VOLTAGE DRY CONTACTS



SENSOR  
PROBE WIRES



LOAD WIRING



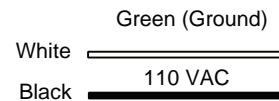
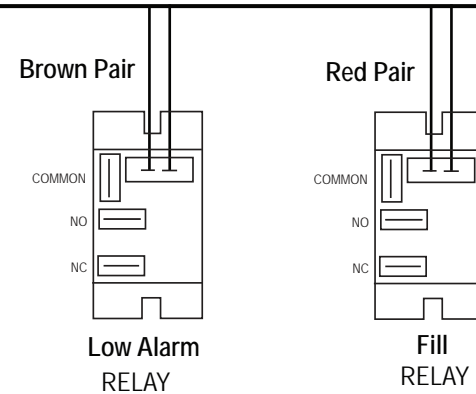
### CONTROL UNIT RATINGS

VOLTS: 110 VAC  
AMPS: 0.5 AMPS  
WATTS: 30W 50/60 HZ

### ALL RELAYS ARE TYPICAL

#### RELAY SPECIFICATIONS

Rated Load 30 A 250 VAC, 20 A 26 VDC  
Carry Current 30 A Max.  
Max. switching capacity 7,500 VA. 560 W  
All Relay terminals are 1/4" male spade



220 VAC AVAILABLE UPON REQUEST

### PRODUCT FUNCTION TRUTH TABLE

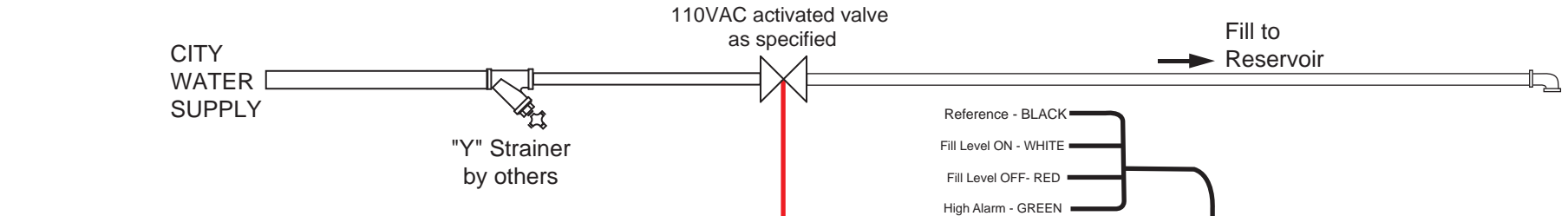
The Blank spaces below mean "No Connection or Function"

MODEL	BMS DRY CONTACTS							POWER RELAY				SELF TEST
	FAULT	POWER LOSS	HEATER CUT OFF	LOW ALARM	HIGH ALARM	FILL	BAS WIRES	HEATER CUT OFF	LOW ALARM	HIGH ALARM	FILL	
WLC4500	X	X		X		X	6		X		X	X

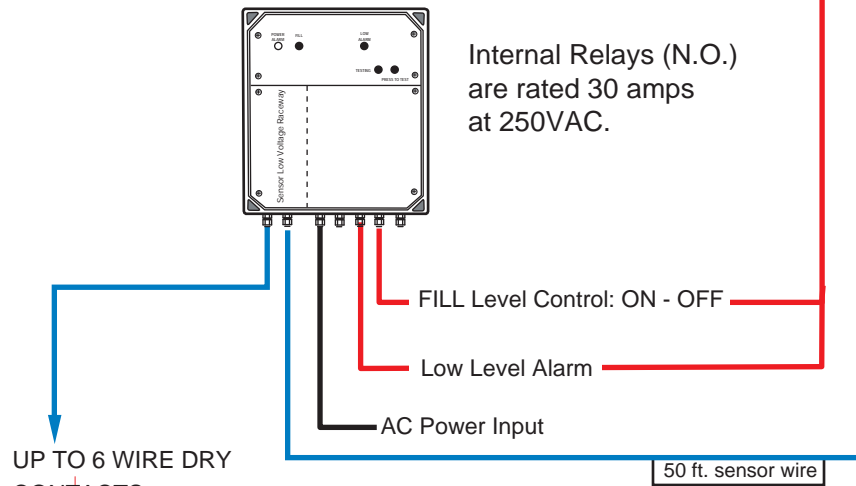
Waterline Controls  
P.O. Box 12544 Scottsdale, Arizona 85260  
Toll Free: 888-905-1892  
Email: [info@waterlinecontrols.com](mailto:info@waterlinecontrols.com)  
[www.waterlinecontrols.com](http://www.waterlinecontrols.com)



# SUBMITTAL WLC-4500

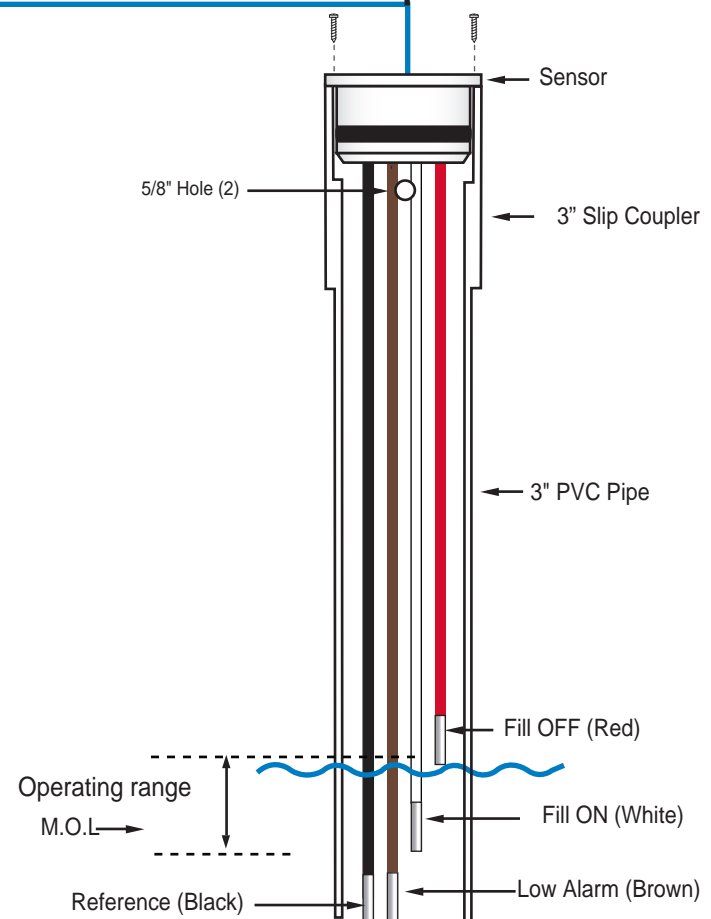


## Level Fill Control with Low Alarm



UP TO 6 WIRE DRY CONTACTS TO AUTOMATION SYSTEM - 2 for each function plus 2 for fault conditions. (see truth table for BAS wire quantities)

- \* Contact the factory for Custom Sensor requirements.
- \* See written specification for more details.



1. The 3" PVC Pipe needs to be at least 2" longer than the longest Sensor tip.
2. Adjustment occurs by moving the 3" PVC Pipe up or down and tightening the clamp so it rests on the Custom Fitting.