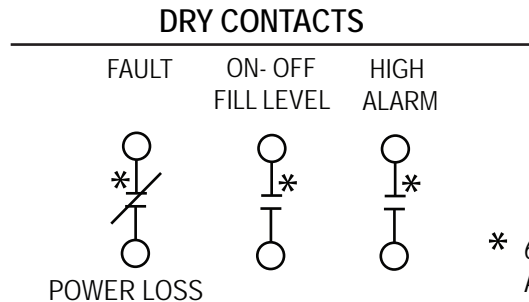
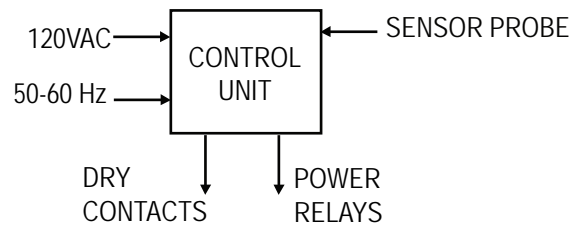




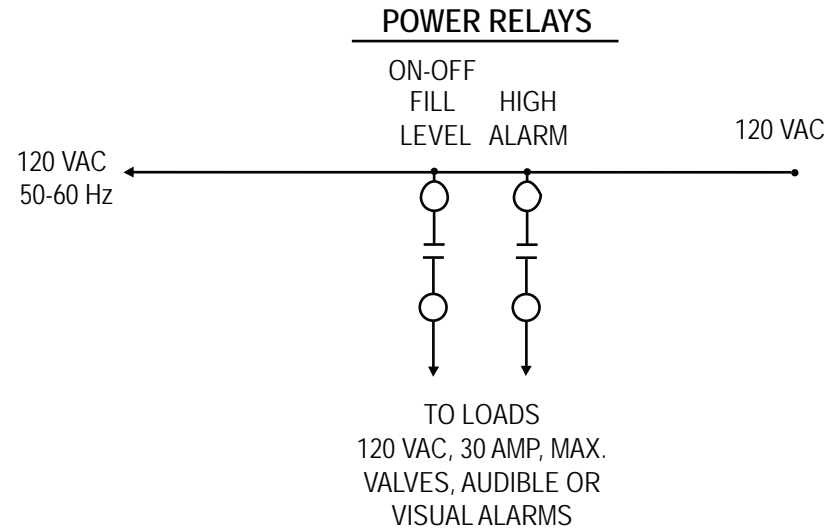
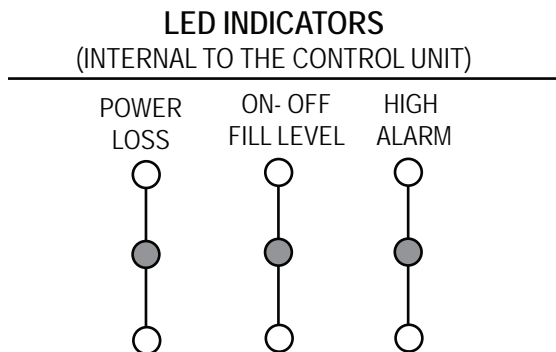
# SUBMITTAL WLC-4000

## FUNCTIONAL WIRING DIAGRAM OUTPUTS

### Fill Level Fill Control and High Alarm (Total Dry Contacts)

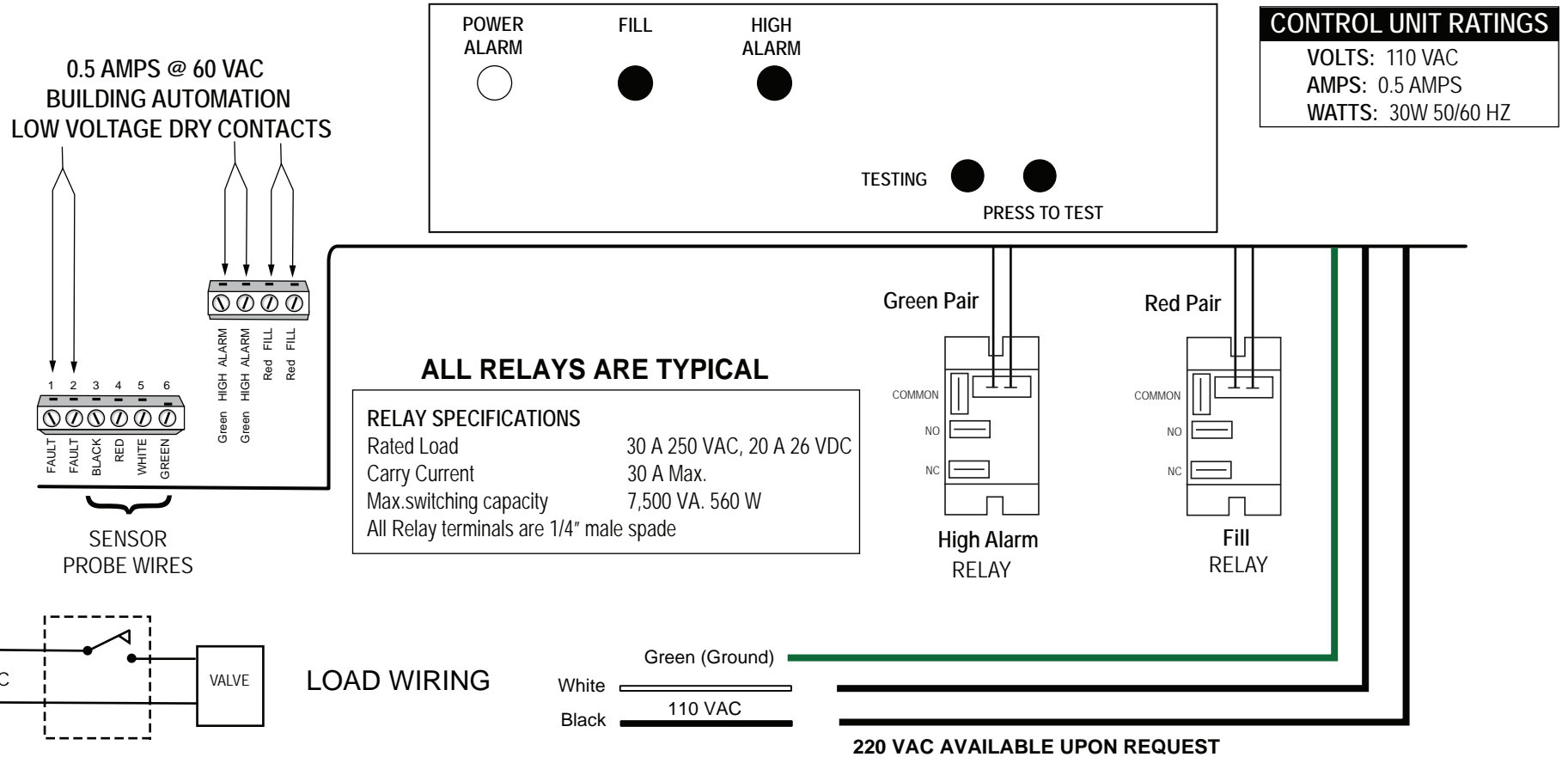


\* 60V MAX; 0.50AMP MAX.  
All others are 120VAC 30AMPS Max.



Waterline Controls  
P.O. Box 12544 Scottsdale, Arizona 85260  
Toll Free: 888-905-1892  
Email: [info@waterlinecontrols.com](mailto:info@waterlinecontrols.com)  
[www.waterlinecontrols.com](http://www.waterlinecontrols.com)

## Fill Level Fill Control with High Alarm

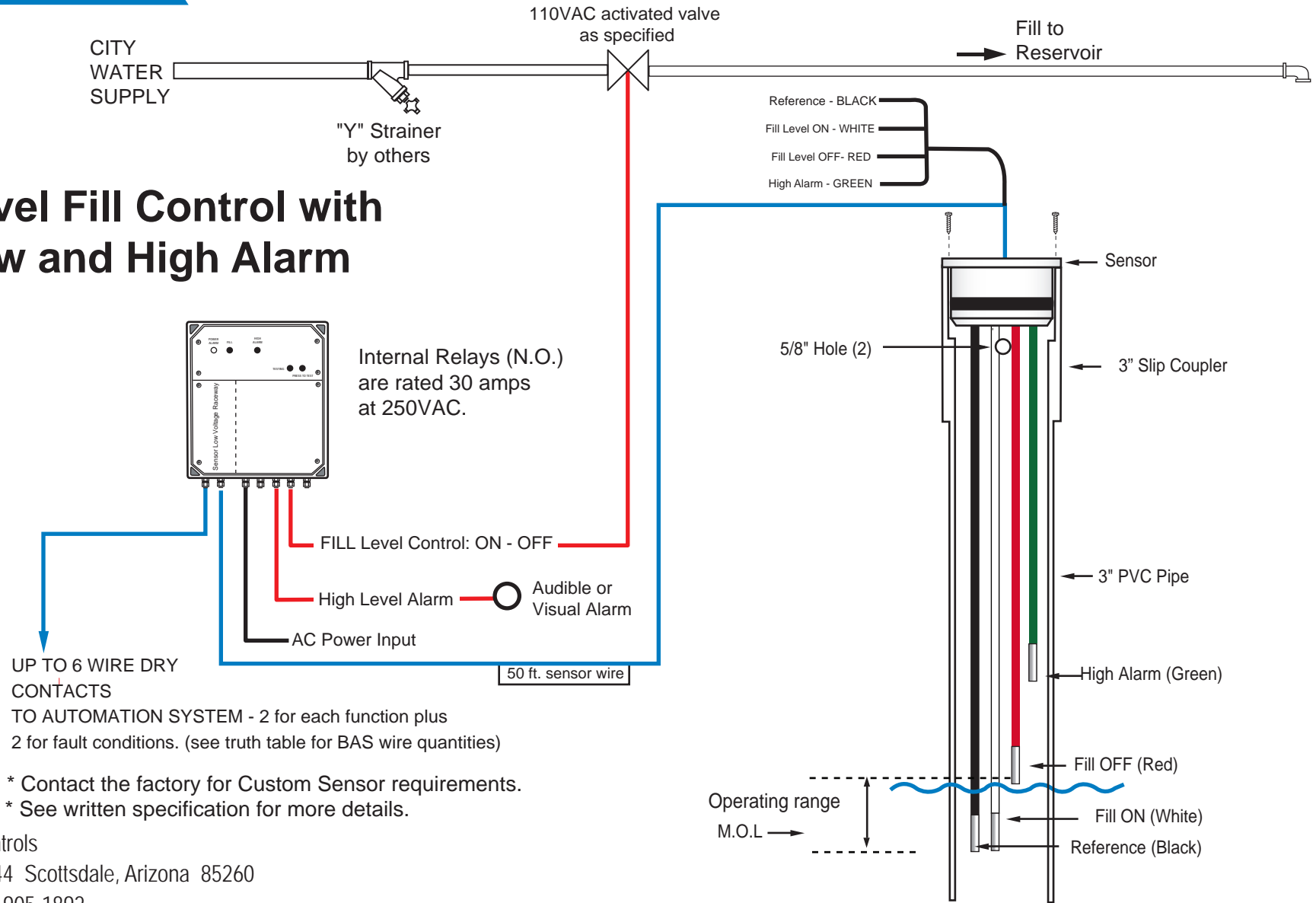


**PRODUCT FUNCTION TRUTH TABLE** The Blank spaces below mean "No Connection or Function"

MODEL	BMS DRY CONTACTS							POWER RELAY				SELF TEST
	FAULT	POWER LOSS	HEATER CUT OFF	LOW ALARM	HIGH ALARM	FILL	BAS WIRES	HEATER CUT OFF	LOW ALARM	HIGH ALARM	FILL	
WLC4000	X	X			X	X	6			X	X	X

Waterline Controls  
P.O. Box 12544 Scottsdale, Arizona 85260  
Toll Free: 888-905-1892  
Email: [info@waterlinecontrols.com](mailto:info@waterlinecontrols.com)  
[www.waterlinecontrols.com](http://www.waterlinecontrols.com)

## Level Fill Control with Low and High Alarm



\* Contact the factory for Custom Sensor requirements.  
 \* See written specification for more details.

Waterline Controls  
 P.O. Box 12544 Scottsdale, Arizona 85260  
 Toll Free: 888-905-1892  
 Email: info@waterlinecontrols.com • www.waterlinecontrols.com

1. The 3" PVC Pipe needs to be at least 2" longer than the longest Sensor tip.
2. Adjustment occurs by moving the 3" PVC Pipe up or down and tightening the clamp so it rests on the Custom Fitting.