

# Water Level Controller with Basin Heater Control

## Cooling Tower Products



### Features:

- Easy to install.
- Controls Basin Heater.
- Simple, reliable and completely automatic.
- Compensates for wave action.
- Easy-to-read LED display.
- No moving parts or mechanical floats to break or rust.
- Modular Construction
- One-Step Internal Testing system for the electronics.
- Building Automation dry contacts. Integration.
- Lifetime Limited Warranty

### Applications

- Cooling Towers
- Designed for both initial installation and replacement of any brand.

### Sensor Probes

- Comes with all-in-one sensor head.
- Custom probes are made up to twelve feet long to fit your needs.
- Direct replacements are made, function for function, for BAC\* towers, EVAPCO\* towers and Marley Towers\*.

### There are a few major benefits to the Electronic Level Controller:

- It is designed and developed to last a lifetime with the user in mind and backed by the manufacturer's Lifetime Limited Warranty
- It is user-friendly with LED indicators to let the user know which functions it is performing and if there are any interruptions in the performance.
- It is produced in a modular construction for easy access total all components.
- It fully integrates with a building or site automation using a set of dry contacts for each activation and deactivation of a function.
- There is a separate relay for each set point. Set points are accurate to 1/8".
- No moving parts, No mechanical floats and No high voltage in the wet area of the system.

### Product Specifications.

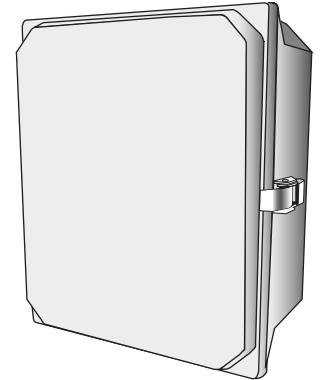
- Accurately manages levels to within 1/8" of operating range.
- 110VAC - 50/60 Hz: specify voltage required when ordering.
- Operates at 0.5 amps at 110VAC. Separate 110VAC relay for each function.
- The internal relay contacts are rated at 30 amps at 250VAC.
- Dry contacts are rated for .5 amps at 60 volts.
- Sensor wire should not be spliced shipped in 50 ft. length.
- Turns on near freezing and off 10 degrees higher.

### Sensor Installations

- A licensed electrician can install the control box and sensors in less than one hour.
- 110VAC Solenoid required.
- Sensors attach to environment wall
  - or -
  - Sensor mounts in an external static pipe
  - or -
  - Sensor slips into a 3" female fitting.

### Model

- Model WLC6100T
- 110VAC or 220 VAC



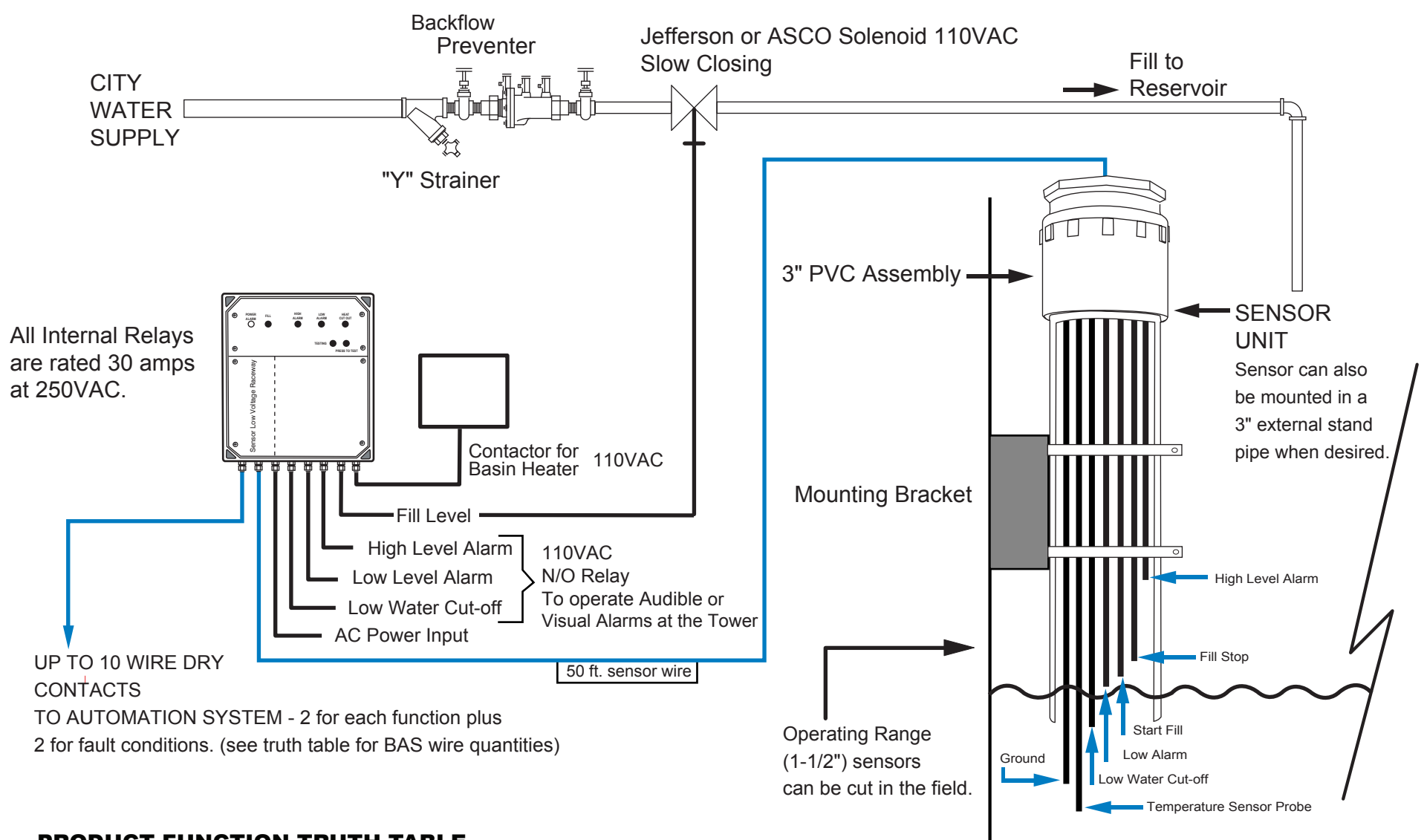
\*All controls have built-in self testing systems for the electronics

For more information contact:

\*BAC is a registered trademark of Baltimore Aircoil Company. EVAPCO is a registered trademark of Evapco, Inc. Marley is a registered trademark of SPX Corporation.

## MODEL WLC6100T

### FILL WITH HIGH LEVEL ALARM, LOW LEVEL ALARM, LOW-LOW LEVEL HEAT CUT-OFF & BASIN HEATER CONTROL



### PRODUCT FUNCTION TRUTH TABLE

MODEL	DRY CONTACTS						POWER RELAY				TEMP CONTROL of basin heater	SELF TEST
	FAULT	HEATER CUT OFF	LOW ALARM	HIGH ALARM	FILL	BASE WIRES	HEATER CUT OFF Blue	LOW ALARM Brown	HIGH ALARM Green	FILL Red		
WLC600T	X	X	X	X	X	10	X	X	X	X	X	X

\* Contact the factory for Custom Sensor requirements

\* See written specification for more details.